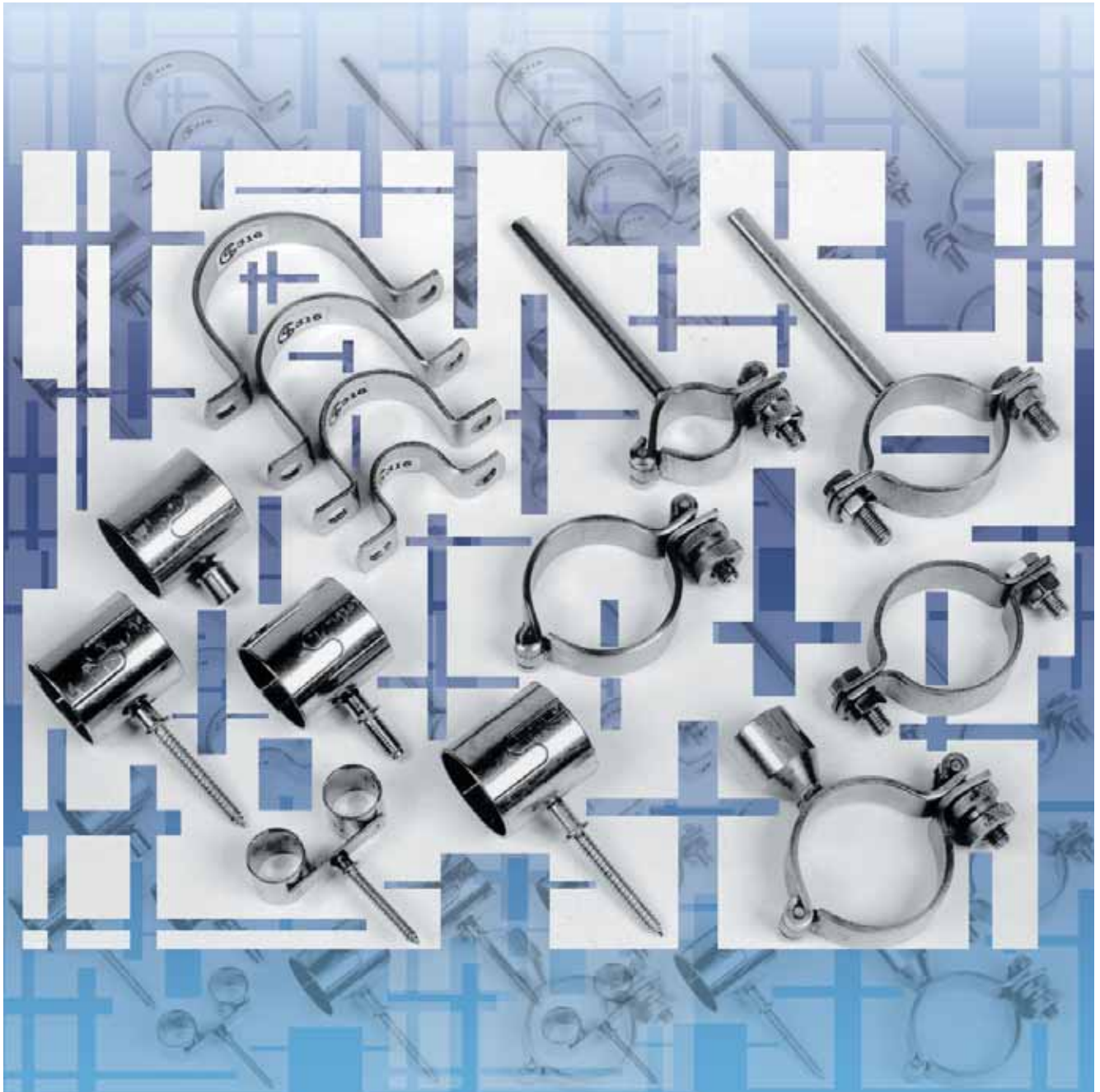


BEUGELS

UIT VOORRAAD HELMOND

CLIPS

EX STOCK HELMOND



NOXON

Noxon Stainless BV

HELMOND - DOETINCHEM - ROTTERDAM - SOEST

P.O. Box 6096

NL-5700 ET HELMOND

THE NETHERLANDS

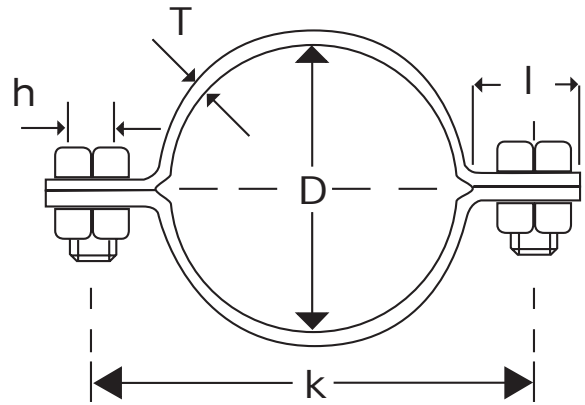
Tel.: +31-(0)492-582111

Fax: +31-(0)492-538970

Inhoud/ Index

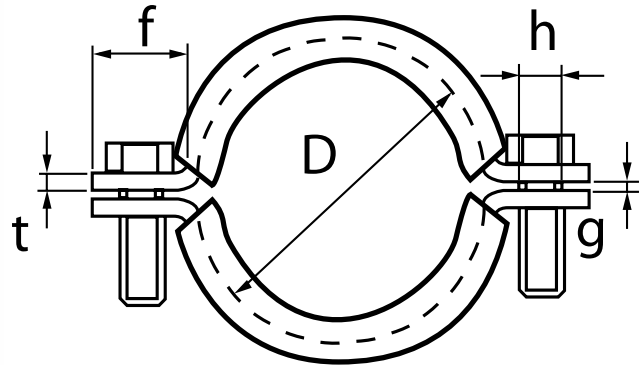
Zadeltype / Saddle Type	3
Zadeltype met silicone tegen vibratie / Saddle Type with silicon sleeving	4
Scharnierend / Hinge Type	5
Scharnierend met rondstaf / Hinge Type with round bar	6
Zadeltype met rondstaf / Saddle Type with round bar	7
Zadeltype met sok / Saddle Type with socket	8
Kapbeugels / U-Clips	9
Filtube Klik-Beugels / Filtube Clamps	10

Zadeltype/Saddle Type



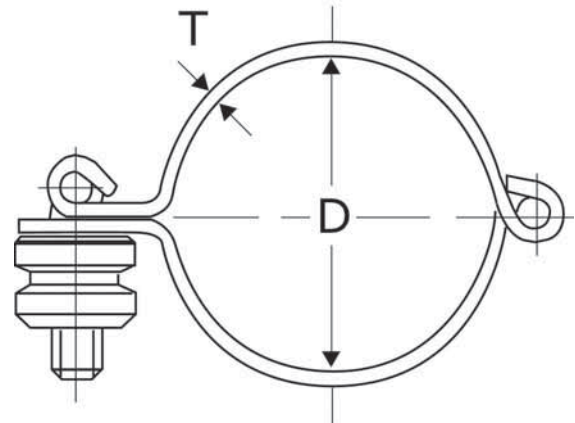
NW	D mm	T mm	W mm	I mm	k mm	h mm	theor kg/	304	316	316
								gepolijst mirror	gebeitst pickled	geslepen polished
10	12,0	2,0	20,0	18,0	34,0	7,0	0,048	x	x	o
10	17,2	2,0	20,0	18,0	39,2	7,0	0,053	o	x	o
	18,0	2,0	20,0	18,0	40,0	7,0	0,054	x	o	x
15	20,0	2,0	20,0	18,0	42,0	7,0	0,056	o	x	o
15	21,3	2,0	20,0	18,0	44,3	7,0	0,057	x	x	o
	22,0	2,0	20,0	18,0	44,3	7,0	0,058	x	o	x
20	25,0	2,5	20,0	18,0	47,0	7,0	0,073	o	x	o
1"	25,4	2,5	20,0	18,0	47,4	7,0	0,073	x	o	x
20	26,9	2,5	20,0	18,0	48,9	7,0	0,075	x	x	o
	28,0	2,5	20,0	18,0	50,0	7,0	0,077	x	o	x
25	30,0	2,5	20,0	18,0	52,0	7,0	0,079	o	x	o
1.1/4"	31,8	2,5	20,0	18,0	53,7	7,0	0,081	x	o	x
25	33,7	2,5	20,0	18,0	55,7	7,0	0,083	x	x	o
	34,0	2,5	20,0	18,0	55,7	7,0	0,084	x	o	x
1.1/2"	38,1	2,5	20,0	18,0	60,1	7,0	0,074	x	o	x
	40,0	2,5	20,0	18,0	63,0	9,0	0,109	x	o	x
32	42,4	2,5	20,0	18,0	65,4	9,0	0,112	x	x	o
40	44,5	2,5	20,0	18,0	67,5	9,0	0,114	o	x	o
40	48,3	2,5	20,0	18,0	71,3	9,0	0,119	x	x	o
2"	50,8	2,5	20,0	18,0	73,8	9,0	0,122	x	o	x
	52,0	2,5	20,0	20,0	77,0	9,0	0,127	x	o	x
50	54,0	2,5	20,0	20,0	79,0	9,0	0,130	o	x	o
50	57,0	3,0	20,0	20,0	86,3	9,0	0,158	o	x	o
50	60,3	3,0	20,0	20,0	89,5	9,0	0,163	x	x	o
2.1/2"	63,5	3,0	20,0	20,0	89,5	9,0	0,163	x	o	x
65	70,0	3,0	20,0	20,0	96,0	9,0	0,173	x	x	x
	73,0	3,0	20,0	20,0	99,0	9,0	0,177	o	o	o
65	76,1	3,0	20,0	20,0	102,1	9,0	0,182	x	x	x
80	84,0	3,0	20,0	20,0	110,0	9,0	0,194	x	x	o
	85,0	3,0	20,0	20,0	111,0	9,0	0,195	x	o	x
80	88,9	3,0	20,0	20,0	114,9	9,0	0,201	x	x	o
4"	101,6	4,0	20,0	20,0	129,6	9,0	0,284	x	o	x
100	104,0	4,0	20,0	20,0	132,0	9,0	0,289	x	x	x
100	108,0	4,0	20,0	20,0	136,0	9,0	0,297	o	x	o
100	114,3	4,0	20,0	20,0	142,3	9,0	0,310	x	x	o
125	129,0	4,0	25,0	25,0	162,0	9,0	0,431	x	x	o
125	139,7	4,0	25,0	25,0	172,7	9,0	0,458	o	x	o
150	154,0	4,0	30,0	30,0	192,0	11,0	0,642	x	x	o
150	168,3	4,0	30,0	30,0	206,3	11,0	0,685	o	x	o
200	204,0	5,0	25,0	25,0	239,0	11,0	0,804	o	x	o
200	219,1	5,0	25,0	25,0	254,1	11,0	0,851	o	x	o
250	256,0	5,0	25,0	25,0	291,0	11,0	0,967	o	x	o
250	273,0	5,0	25,0	25,0	308,0	11,0	1,021	o	x	o
300	306,0	5,0	25,0	25,0	341,0	11,0	1,124	o	x	o
300	323,9	5,0	25,0	25,0	358,9	11,0	1,180	o	x	o

Zadeltype met silicone tegen vibratie/Saddle Type with silicon sleeving



D		T	W	I	k	h	theor	304	316
NW	mm	mm	mm	mm	mm	mm	kg/	gebeitst	gebeitst
								pickled	pickled
10	12,0	2,0	20,0	18,0	34,0	7,0	0,048	o	o
10	17,2	2,0	20,0	18,0	39,2	7,0	0,053	o	o
	18,0	2,0	20,0	18,0	40,0	7,0	0,054	o	o
15	20,0	2,0	20,0	18,0	42,0	7,0	0,056	o	o
15	21,3	2,0	20,0	18,0	44,3	7,0	0,057	o	x
	22,0	2,0	20,0	18,0	44,3	7,0	0,058	o	o
20	25,0	2,5	20,0	18,0	47,0	7,0	0,073	o	o
1"	25,4	2,5	20,0	18,0	47,4	7,0	0,073	o	o
20	26,9	2,5	20,0	18,0	48,9	7,0	0,075	o	x
	28,0	2,5	20,0	18,0	50,0	7,0	0,077	o	o
25	30,0	2,5	20,0	18,0	52,0	7,0	0,079	o	o
1.1/4"	31,8	2,5	20,0	18,0	53,7	7,0	0,081	o	o
25	33,7	2,5	20,0	18,0	55,7	7,0	0,083	o	x
	34,0	2,5	20,0	18,0	55,7	7,0	0,084	o	o
1.1/2"	38,1	2,5	20,0	18,0	60,1	7,0	0,074	o	o
	40,0	2,5	20,0	18,0	63,0	9,0	0,109	o	o
32	42,4	2,5	20,0	18,0	65,4	9,0	0,112	o	x
40	44,5	2,5	20,0	18,0	67,5	9,0	0,114	o	o
40	48,3	2,5	20,0	18,0	71,3	9,0	0,119	o	x
2"	50,8	2,5	20,0	18,0	73,8	9,0	0,122	o	o
	52,0	2,5	20,0	20,0	77,0	9,0	0,127	o	o
50	54,0	2,5	20,0	20,0	79,0	9,0	0,130	o	o
50	57,0	3,0	20,0	20,0	86,3	9,0	0,158	o	o
50	60,3	3,0	20,0	20,0	89,5	9,0	0,163	o	x
2.1/2"	63,5	3,0	20,0	20,0	89,5	9,0	0,163	o	o
65	70,0	3,0	20,0	20,0	96,0	9,0	0,173	o	o
	73,0	3,0	20,0	20,0	99,0	9,0	0,177	o	o
65	76,1	3,0	20,0	20,0	102,1	9,0	0,182	o	x
80	84,0	3,0	20,0	20,0	110,0	9,0	0,194	o	o
	85,0	3,0	20,0	20,0	111,0	9,0	0,195	o	o
80	88,9	3,0	20,0	20,0	114,9	9,0	0,201	o	x
4"	101,6	4,0	20,0	20,0	129,6	9,0	0,284	o	o
100	104,0	4,0	20,0	20,0	132,0	9,0	0,289	o	o
100	108,0	4,0	20,0	20,0	136,0	9,0	0,297	o	o
100	114,3	4,0	20,0	20,0	142,3	9,0	0,310	o	x
125	129,0	4,0	25,0	25,0	162,0	9,0	0,431	o	o
125	139,7	4,0	25,0	25,0	172,7	9,0	0,458	o	o
150	154,0	4,0	30,0	30,0	192,0	11,0	0,642	o	o
150	168,3	4,0	30,0	30,0	206,3	11,0	0,685	o	o
200	204,0	5,0	25,0	25,0	239,0	11,0	0,804	o	o
200	219,1	5,0	25,0	25,0	254,1	11,0	0,851	o	o
250	256,0	5,0	25,0	25,0	291,0	11,0	0,967	o	o
250	273,0	5,0	25,0	25,0	308,0	11,0	1,021	o	o
300	306,0	5,0	25,0	25,0	341,0	11,0	1,124	o	o
300	323,9	5,0	25,0	25,0	358,9	11,0	1,180	o	o

Scharnierend/Hinge Type

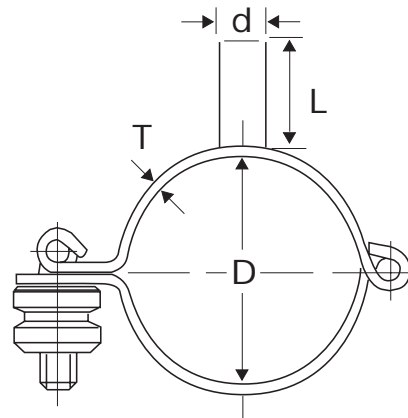


NW	D mm	T mm	W mm	F mm	G mm	Bolt size	theor kg/	316 gebeitst pickled	316 geslepen polished
10	12,0	3,0	20,0	18,0	3,0	M8	0,071	o	x
10	17,2	3,0	20,0	18,0	3,0	M8	0,079	o	o
	18,0	3,0	20,0	18,0	3,0	M8	0,080	o	x
15	20,0	3,0	20,0	18,0	3,0	M8	0,083	o	o
15	21,3	3,0	20,0	18,0	3,0	M8	0,085	o	o
	22,0	3,0	20,0	18,0	3,0	M8	0,087	o	x
20	25,0	3,0	20,0	18,0	3,0	M8	0,091	o	o
1"	25,4	3,0	20,0	18,0	3,0	M8	0,091	o	x
20	26,9	3,0	20,0	18,0	3,0	M8	0,094	o	o
	28,0	3,0	20,0	18,0	3,0	M8	0,095	o	x
25	30,0	3,0	20,0	18,0	3,0	M8	0,098	o	o
1.1/4"	31,8	3,0	20,0	18,0	3,0	M8	0,101	o	x
25	33,7	3,0	20,0	18,0	3,0	M8	0,104	o	o
	34,0	3,0	20,0	18,0	3,0	M8	0,108	o	x
1.1/2"	38,1	3,0	20,0	18,0	3,0	M8	0,110	o	x
	40,0	3,0	20,0	18,0	3,0	M8	0,113	o	x
32	42,4	3,0	20,0	18,0	3,0	M8	0,117	o	o
40	44,5	3,0	20,0	18,0	3,0	M8	0,120	o	o
40	48,3	3,0	20,0	18,0	3,0	M8	0,126	o	o
2"	50,8	3,0	20,0	18,0	3,0	M8	0,130	o	x
	52,0	3,0	20,0	18,0	3,0	M8	0,131	o	x
50	54,0	3,0	20,0	18,0	3,0	M8	0,134	o	o
50	60,3	3,0	20,0	18,0	3,0	M8	0,144	o	o
2.1/2"	63,5	3,0	20,0	18,0	3,0	M8	0,149	o	x
	70,0	3,0	20,0	18,0	3,0	M8	0,159	o	x
3"	76,1	3,0	20,0	18,0	3,0	M8	0,168	o	x
80	84,0	3,0	20,0	18,0	3,0	M8	0,180	o	o
	85,0	3,0	20,0	18,0	3,0	M8	0,181	o	x
80	88,9	3,0	20,0	18,0	3,0	M8	0,187	o	o
4"	101,6	3,0	20,0	18,0	5,0	M8	0,205	o	x
100	104,0	3,0	20,0	18,0	5,0	M8	0,209	o	x
100	108,0	3,0	20,0	18,0	5,0	M8	0,215	o	o
100	114,3	3,0	20,0	18,0	5,0	M8	0,224	o	o

x = voorraad Helmond, m.o. / stock Helmond, s.u.

o = op aanvraag / on requests

Scharnierend met rondstaf / Hinge Type with round bar

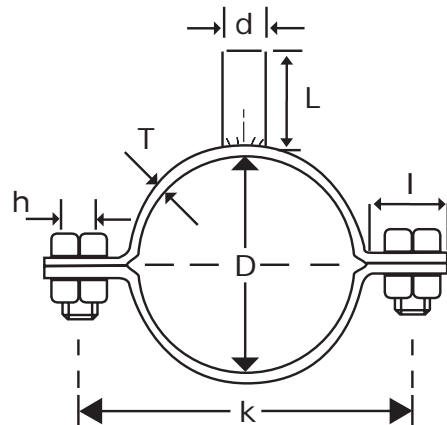


NW	D mm	T mm	W mm	L mm	d mm	Bolt size	theor kg/	316 gebeitst pickled	316 geslepen polished
10	12,0	3,0	20,0	100,0	10,0	M8	0,133	o	o
10	17,2	3,0	20,0	100,0	10,0	M8	0,141	o	o
	18,0	3,0	20,0	100,0	10,0	M8	0,142	o	x
15	20,0	3,0	20,0	100,0	10,0	M8	0,145	o	o
15	21,3	3,0	20,0	100,0	10,0	M8	0,147	o	o
	22,0	3,0	20,0	100,0	10,0	M8	0,149	o	x
20	25,0	3,0	20,0	100,0	10,0	M8	0,153	o	o
1"	25,4	3,0	20,0	100,0	10,0	M8	0,153	o	x
20	26,9	3,0	20,0	100,0	10,0	M8	0,156	o	o
	28,0	3,0	20,0	100,0	10,0	M8	0,157	o	x
25	30,0	3,0	20,0	100,0	10,0	M8	0,160	o	o
1.1/4"	31,8	3,0	20,0	100,0	10,0	M8	0,163	o	x
25	33,7	3,0	20,0	100,0	10,0	M8	0,166	o	o
	34,0	3,0	20,0	100,0	10,0	M8	0,168	o	x
1.1/2"	38,1	3,0	20,0	100,0	10,0	M8	0,172	o	x
	40,0	3,0	20,0	100,0	10,0	M8	0,175	o	x
32	42,4	3,0	20,0	100,0	10,0	M8	0,179	o	o
40	44,5	3,0	20,0	100,0	10,0	M8	0,182	o	o
40	48,3	3,0	20,0	100,0	10,0	M8	0,188	o	o
2"	50,8	3,0	20,0	100,0	10,0	M8	0,192	o	x
	52,0	3,0	20,0	100,0	10,0	M8	0,193	o	x
50	54,0	3,0	20,0	100,0	10,0	M8	0,196	o	o
50	60,3	3,0	20,0	100,0	10,0	M8	0,206	o	o
2.1/2"	63,5	3,0	20,0	100,0	12,0	M8	0,211	o	x
	70,0	3,0	20,0	150,0	12,0	M8	0,211	o	x
3"	76,1	3,0	20,0	150,0	12,0	M8	0,301	o	x
80	84,0	3,0	20,0	150,0	12,0	M8	0,313	o	o
	85,0	3,0	20,0	150,0	12,0	M8	0,315	o	x
80	88,9	3,0	20,0	150,0	12,0	M8	0,321	o	o
4"	101,6	3,0	20,0	150,0	12,0	M8	0,339	o	x
100	104,0	3,0	20,0	150,0	12,0	M8	0,342	o	x
100	108,0	3,0	20,0	150,0	12,0	M8	0,348	o	o
100	114,3	3,0	20,0	150,0	12,0	M8	0,358	o	o

Ook leverbaar met andere d en L afmetingen
Also available in different d and L dimensions

x = voorraad Helmond, m.o. / stock Helmond, s.u.
o = op aanvraag / on requests

Zadeltype met rondstaf / Saddle type with round bar

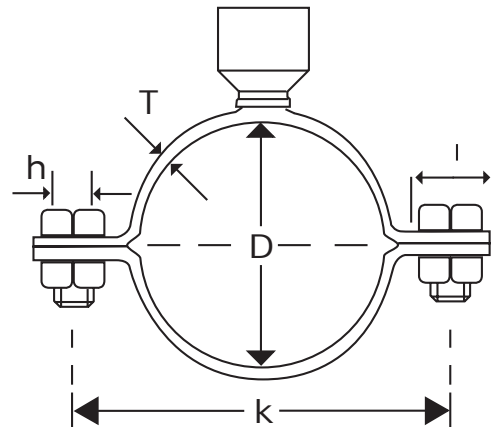


NW	D mm	T mm	W mm	I mm	L mm	d mm	theor kg/	316 gebeitst pickled	316 geslepen polished
10	12,0	2,0	20,0	18,0	100,0	10,0	0,110	o	x
10	17,2	2,0	20,0	18,0	100,0	10,0	0,115	o	o
	18,0	2,0	20,0	18,0	100,0	10,0	0,116	o	x
15	20,0	2,0	20,0	18,0	100,0	10,0	0,118	o	o
15	21,3	2,0	20,0	18,0	100,0	10,0	0,119	o	o
	22,0	2,0	20,0	18,0	100,0	10,0	0,122	o	x
20	25,0	2,0	20,0	18,0	100,0	10,0	0,123	o	o
1"	25,4	2,0	20,0	18,0	100,0	10,0	0,123	o	x
20	26,9	2,0	20,0	18,0	100,0	10,0	0,125	o	o
	28,0	2,0	20,0	18,0	100,0	10,0	0,126	o	x
25	30,0	2,0	20,0	18,0	100,0	10,0	0,128	o	o
1.1/4"	31,7	2,0	20,0	18,0	100,0	10,0	0,130	o	x
25	33,7	2,0	20,0	18,0	100,0	10,0	0,132	o	o
	34,0	2,0	20,0	18,0	100,0	10,0	0,134	o	x
1.1/2"	38,1	2,0	20,0	18,0	100,0	10,0	0,136	o	x
	40,0	2,5	20,0	18,0	100,0	10,0	0,171	o	x
32	42,4	2,5	20,0	18,0	100,0	10,0	0,174	o	o
40	44,5	2,5	20,0	18,0	100,0	10,0	0,176	o	o
40	48,3	2,5	20,0	18,0	100,0	10,0	0,181	o	o
2"	50,8	2,5	20,0	18,0	100,0	10,0	0,184	o	x
	52,0	2,5	20,0	20,0	100,0	10,0	0,189	o	x
50	54,0	2,5	20,0	20,0	100,0	10,0	0,192	o	o
50	60,3	3,0	20,0	20,0	100,0	10,0	0,220	o	o
2.1/2"	63,5	3,0	20,0	20,0	150,0	12,0	0,296	o	x
65	70,0	3,0	20,0	20,0	150,0	12,0	0,306	o	x
65	76,1	3,0	20,0	20,0	150,0	12,0	0,315	o	x
80	84,0	4,0	20,0	20,0	150,0	12,0	0,327	o	o
	85,0	3,0	20,0	20,0	150,0	12,0	0,329	o	x
80	88,9	4,0	20,0	20,0	150,0	12,0	0,335	o	o
4"	101,6	4,0	20,0	18,0	150,0	12,0	0,418	o	x
100	104,0	4,0	20,0	20,0	150,0	12,0	0,423	o	x
100	108,0	4,0	20,0	20,0	150,0	12,0	0,431	o	o
100	114,3	4,0	20,0	20,0	150,0	12,0	0,443	o	o

Ook leverbaar met andere d en L afmetingen
Also available in different d and L dimensions

x = voorraad Helmond, m.o. / stock Helmond, s.u.
o = op aanvraag / on requests

Zadeltype met sok/Saddle type with socket

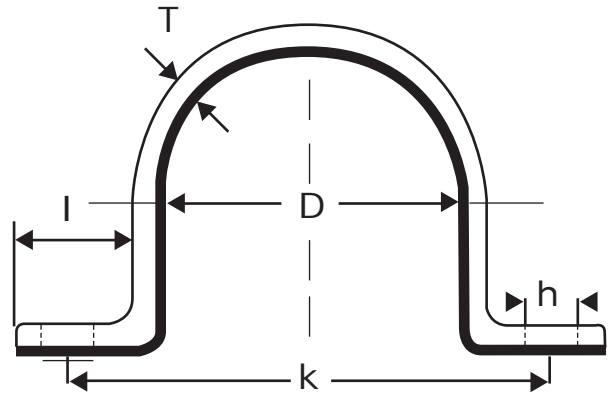


NW	D mm	T mm	W mm	I mm	K mm	H mm	theor kg/	316 gebeitst pickled	316 geslepen polished
10	12,0	2,0	20,0	18,0	38,0	7,0	0,132	o	o
10	17,2	2,0	20,0	18,0	39,2	7,0	0,101	o	o
	18,0	2,0	20,0	18,0	39,2	7,0	0,101	o	o
15	20,0	2,0	20,0	18,0	42,0	7,0	0,104	o	o
15	21,3	2,0	20,0	18,0	43,3	7,0	0,105	o	o
	22,0	2,0	20,0	18,0	43,3	7,0	0,105	o	o
20	25,0	2,0	20,0	18,0	47,0	7,0	0,109	o	o
1"	25,4	2,0	20,0	18,0	47,4	7,0	0,109	o	o
20	26,9	2,0	20,0	18,0	48,9	7,0	0,111	o	o
	28,0	2,0	20,0	18,0	50,0	7,0	0,112	o	o
25	30,0	2,0	20,0	18,0	52,0	7,0	0,114	o	o
	34,0	2,0	20,0	18,0	52,0	7,0	0,115	o	o
1.1/4"	31,7	2,0	20,0	18,0	53,7	7,0	0,116	o	o
25	33,7	2,0	20,0	18,0	55,7	7,0	0,118	o	o
1.1/2"	38,1	2,0	20,0	18,0	60,1	7,0	0,122	o	o
	40,0	2,5	20,0	18,0	63,0	9,0	0,157	o	o
32	42,4	2,5	20,0	18,0	65,4	9,0	0,160	o	o
40	44,5	2,5	20,0	18,0	67,5	9,0	0,162	o	o
40	48,3	2,5	20,0	18,0	71,3	9,0	0,167	o	o
2"	50,8	2,5	20,0	18,0	73,8	9,0	0,170	o	o
	52,0	2,5	20,0	20,0	77,0	9,0	0,175	o	o
50	54,0	2,5	20,0	20,0	79,0	9,0	0,178	o	o
50	60,3	2,5	20,0	20,0	86,3	9,0	0,206	o	o
2.1/2"	63,5	3,0	20,0	20,0	89,5	9,0	0,211	o	o
65	70,0	3,0	20,0	20,0	96,0	9,0	0,221	o	o
65	76,1	3,0	20,0	20,0	99,0	9,0	0,230	o	o
80	84,0	3,0	20,0	20,0	110,0	9,0	0,242	o	o
	85,0	3,0	20,0	20,0	111,0	9,0	0,243	o	o
80	88,9	3,0	20,0	20,0	114,9	9,0	0,249	o	o
4"	101,6	4,0	20,0	18,0	129,6	9,0	0,332	o	o
100	104,0	4,0	20,0	20,0	132,0	9,0	0,337	o	o
100	108,0	4,0	20,0	20,0	136,0	9,0	0,345	o	o
100	114,3	4,0	20,0	20,0	142,3	9,0	0,358	o	o

Ook leverbaar met andere d en L afmetingen
Also available in different d and L dimensions

x = voorraad Helmond, m.o. / stock Helmond, s.u.
o = op aanvraag / on requests

Kapbeugels/U-clips



NW	D mm	T mm	W mm	I mm	k mm	h mm	theor kg/	304	316	316
								gepolijst mirror	gebeitst pickled	geslepen polished
10	12,0	2,0	20,0	18,0	34,0	7,0	0,020	x	o	x
10	17,2	2,0	20,0	18,0	39,2	7,0	0,024	o	x	o
	18,0	2,0	20,0	18,0	39,2	7,0	0,025	x	o	x
15	20,0	2,0	20,0	18,0	42,0	7,0	0,026	o	x	o
15	21,3	2,0	20,0	18,0	43,3	7,0	0,028	x	x	o
	22,0	2,0	20,0	18,0	43,3	7,0	0,028	x	o	x
20	25,0	2,0	20,0	18,0	47,0	7,0	0,031	o	x	o
1"	25,4	2,0	20,0	18,0	47,4	7,0	0,033	x	o	x
20	26,9	2,0	20,0	18,0	48,9	7,0	0,032	x	x	o
	28,0	2,0	20,0	18,0	50,0	7,0	0,033	x	x	o
25	30,0	2,0	20,0	18,0	52,0	7,0	0,035	o	x	o
1.1/4"	31,7	2,0	20,0	18,0	53,7	7,0	0,036	x	o	x
25	33,7	2,0	20,0	18,0	55,7	7,0	0,038	x	x	o
	34,0	2,0	20,0	18,0	56,0	7,0	0,039	x	o	o
1.1/2"	38,1	2,0	20,0	18,0	60,1	7,0	0,041	x	o	x
	40,0	2,5	20,0	18,0	63,0	9,0	0,053	x	o	x
32	42,4	2,5	20,0	18,0	65,4	9,0	0,055	x	x	o
40	44,5	2,5	20,0	18,0	67,5	9,0	0,058	o	x	o
40	48,3	2,5	20,0	18,0	71,3	9,0	0,062	x	x	o
2"	50,8	2,5	20,0	18,0	73,8	9,0	0,064	x	o	x
	52,0	2,5	20,0	20,0	77,0	9,0	0,067	x	o	x
50	54,0	2,5	20,0	20,0	79,0	9,0	0,069	o	x	o
50	57,0	3,0	20,0	20,0	86,3	9,0	0,149	o	x	o
50	60,3	3,0	20,0	20,0	86,3	9,0	0,091	x	x	o
2.1/2"	63,5	3,0	20,0	20,0	89,5	9,0	0,095	x	o	x
65	70,0	3,0	20,0	20,0	96,0	9,0	0,103	x	o	x
	73,0	3,0	20,0	20,0	99,0	9,0	0,107	o	o	o
65	76,1	3,0	20,0	20,0	102,1	9,0	0,110	x	x	x
80	84,0	3,0	20,0	20,0	110,0	9,0	0,119	x	x	o
	85,0	3,0	20,0	20,0	111,0	9,0	0,120	x	o	x
80	88,9	3,0	20,0	20,0	114,9	9,0	0,125	x	x	o
4"	101,6	4,0	20,0	20,0	129,6	9,0	0,189	x	o	x
100	104,0	4,0	20,0	20,0	132,0	9,0	0,193	x	x	x
100	108,0	4,0	20,0	20,0	136,0	9,0	0,199	o	x	o
100	114,3	4,0	20,0	20,0	142,3	9,0	0,210	x	x	o
125	129,0	4,0	25,0	25,0	162,0	9,0	0,302	x	x	o
125	139,7	4,0	25,0	25,0	172,7	9,0	0,324	o	x	o
150	154,0	4,0	25,0	25,0	187,0	11,0	0,351	x	x	o
150	168,3	4,0	25,0	25,0	201,3	11,0	0,380	o	x	o
200	204,0	5,0	25,0	25,0	239,0	11,0	0,569	o	x	o
200	219,1	5,0	25,0	25,0	254,1	11,0	0,608	o	x	o
250	256,0	5,0	25,0	25,0	291,0	11,0	0,701	o	x	o
250	273,0	5,0	25,0	25,0	308,0	11,0	0,744	o	x	o
300	306,0	5,0	25,0	25,0	341,0	11,0	0,829	o	x	o
300	323,9	5,0	25,0	25,0	358,9	11,0	0,875	o	x	o

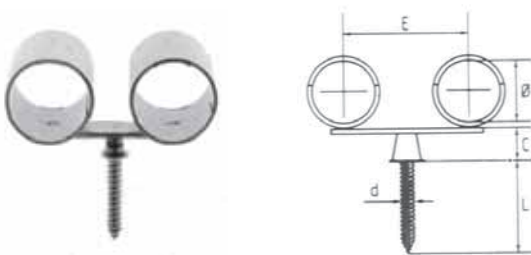
Filtube Klik-Beugels / Filtube Clamps

Enkele klik-beugel met houtschroef Single clip with woodscrew



Ø	d	L	C	304
10	3,9	20	7	x
12	3,9	20	7	x
15	4,8	25	7	x
18	4,8	25	7	x
22	4,8	25	7	x
28	4,8	25	7	x
35	6,3	45	9	x
42	6,3	45	9	x

Dubbele klik-beugel met houtschroef Double clip with woodscrew



Ø	d	L	C	E	304
10	3,9	20	8	35	x
12	3,9	20	8	35	x
15	4,8	25	8	35	x
18	4,8	25	8	35	x
22	4,8	25	8	35	x

Enkele klik-beugel met schroef voor isolatie Single clip with screw for isolation material



Ø	d	L	C	304
15	4,8	25	13	x
18	4,8	25	13	x
22	4,8	25	13	x
28	4,8	25	13	x
35	6,3	45	13	x
42	6,3	45	13	x

Enkele klik-beugel met sok (metrisch) Single clip with socket (metric)



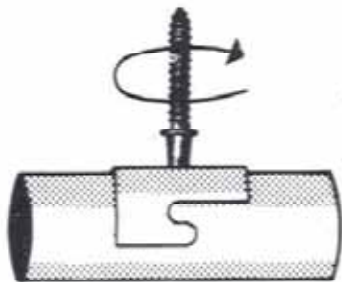
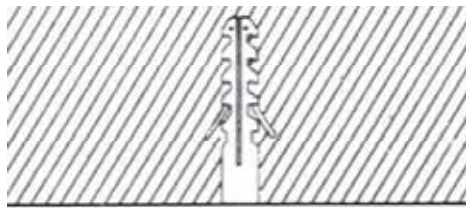
Ø	M	L	C	304
10	5	12	7	x
12	5	12	7	x
15	6	12	6	x
18	6	12	6	x
22	6	12	6	x
28	6	12	6	x
35	8	16	10	x
42	8	16	10	x

Enkele klik-beugel met draadeind (metrisch) Single clip with threaded end (metric)



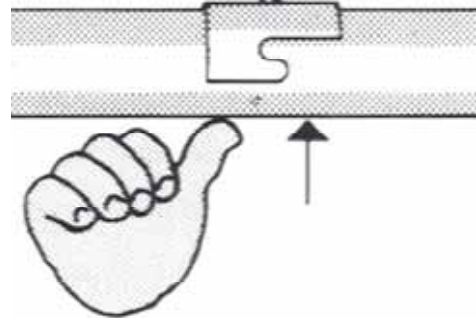
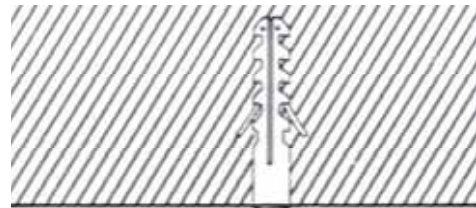
Ø	M	L	d	304
10	5	10	9	x
12	5	10	9	x
15	6	12	10	x
18	6	12	10	x
22	6	12	10	x
28	6	12	10	x
35	8	15	12	x
42	8	15	12	x

Filtube Klik-Beugels / Filtube Clamps



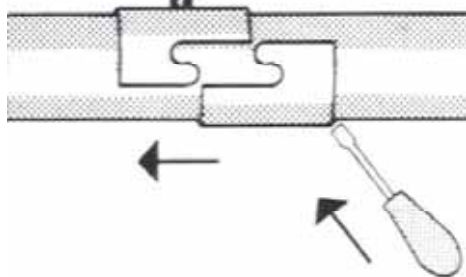
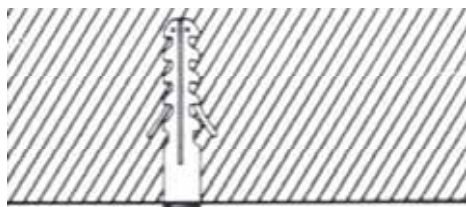
Bevestig de bovenste helft van de klik-beugel.

Mount the upper half of the clamp.



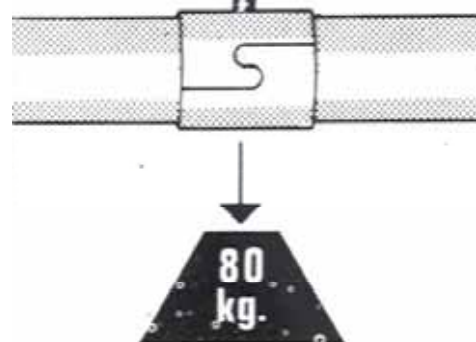
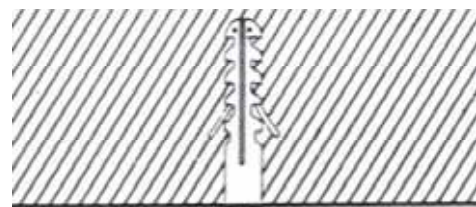
Duw de buis in de bovenste helft van de klik-beugel.

Push the tube in the upper half of the clamp.



Schuif de onderste helft van de klik-beugel over de buis in de bovenste helft.

Slide the lower half of the clamp over the tube into the the upper half.



Een gemonteerde klikbeugel kan een gewicht van ca. 80 kg dragen (bij buis Ø 22 mm).

Once assembled, the clamp supports a 80 kg weight (with tube Ø 22 mm).

VOORRAADPROGRAMMA ROESTVASTSTAAL

STOCK PROGRAM STAINLESS STEEL

BUIZEN

GELASTE BUIZEN
ZUIVELBUIZEN
CONSTRUCTEBUIS; rond, vierkant en rechthoekig
NAADLOZE BUIZEN
BUIZEN VOOR GASCHROMATORGRAFIE
CAPILLAIRE BUIZEN
INSTRUMENTATIE BUIZEN
INJECTIE-NAALD BUIZEN
PEKEL NAALDEN

FITTINGEN

GELASTE EN NAADLOZE LASFITTINGEN
bochten, t-stukken, verlopen, boordringen, kappen,
stub-ends
BEUGELS
BSP GASDRAAD FITTINGEN
3000# FITTINGEN NPT/SW
LAGEDRUK KLEMKOPPELINGEN
met EPDM of VITON ringen
KNEL FITTINGEN (DUBBELE RING)
SNIJRING FITTINGEN
ZUIVEL FITTINGEN
PRESS FITTINGEN

FLENZEN

FLENZEN DIN-EN/ANSI
ALUMINIUM FLENZEN

AFSLUITERS

BSP-KOGELKRANEN, GEFLENSDE KOGELKRANEN,
SCHUIF-EN KLEPAFSLUITERS, TERUGSLAGKLEPPEN,
VLINDERKLEPPEN, STRAINERS

HOGEDRUK AFSLUITERS tot 15000 PSI

BSP KOGELKRANEN, GEFLENSDE KOGELKRANEN,
SCHUIF-EN KLEPAFSLUITERS, TERUGSLAGKLEPPEN,
NAALDAFSLUITERS, MANIFOLDS (INSTRUMENTATIE
AANSLUITING DIN 1.9213 OF NPT)
MANOMETER AFSLUITERS
MATERIAAL: ROESTVASTSTAAL EN STAAL
OP AANVRAAG LEVERBARE KWALITEITEN
MONEL, HASTELOY, INCONEL ENZ.

STAF en PROFIELEN

RONDSTAF
PLATSTAF
VIERKANTSTAF
HOEK-, U- EN T-PROFIELEN

PLATEN

warm- en koudgewalst

TUBES

WELDED TUBES
DAIRY TUBES
CONSTRUCTION TUBES; round, square and rectangular
SEAMLESS TUBES
GAS-CHROMATOGRAPHY TUBES
CAPILLARY TUBES
INSTRUMENTATION TUBES
HYPERDERMIC NEEDLE TUBING
SALT INJECTOR NEEDLES

FITTINGS

WELDED AND SEAMLESS BW FITTINGS
elbows, tees, reducers, collars, caps,
stubends
CLIPS
BSP THREADED FITTINGS
3000# FITTINGS NPT/SW
LOW PRESSURE COMPRESSION COUPLINGS
with EPDM or VITON sealing rings
COMPRESSION TYPE FITTINGS (TWIN FERRULE)
CUTTINGRING FITTINGS
DAIRY FITTINGS
PRESS FITTINGS

FLANGES

FLANGES DIN-EN/ANSI
ALUMINIUM FLANGES

VALVES

BSP THREADED BALL VALVES, FLANGED BALL VALVES
GATE-, GLOBE- AND CHECK VALVES,
BUTTERFLY VALVES, STRAINERS

HIGH PRESSURE VALVES up to 15000 PSI

BSP THREADED BALL VALVES, FLANGED BALL VALVES,
GATE-, GLOBE- AND CHECK VALVES; NEEDLE VALVES
MANIFOLDS (INSTRUMENTATION CONNECTION
DIN 1.9213 OR NPT)
GAUGE VALVES
MATERIAL: STAINLESS STEEL AND STEEL
AVAILABLE GRADES UPON REQUEST
MONEL, HASTELOY, INCONEL ETC.

BARS en PROFILES

ROUND BARS
FLAT BARS
SQUARE BARS
ANGLE-, U- AND T-PROFILES

SHEETS & PLATES

hot an cold rolled

NOXON

Noxon Stainless BV

HELMOND - DOETINCHEM - ROTTERDAM - SOEST

P.O. Box 6096
NL-5700 ET HELMOND
THE NETHERLANDS
Tel.: +31-(0)492-582111
Fax: +31-(0)492-538970